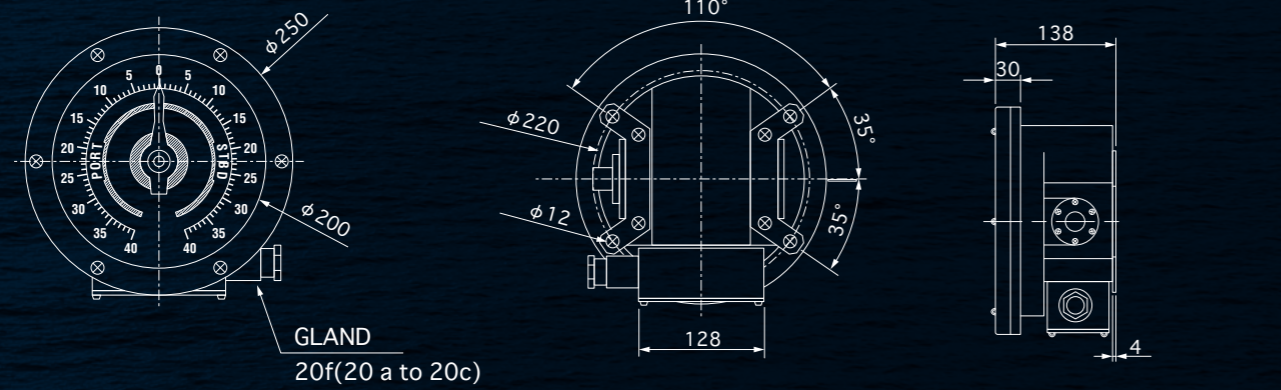


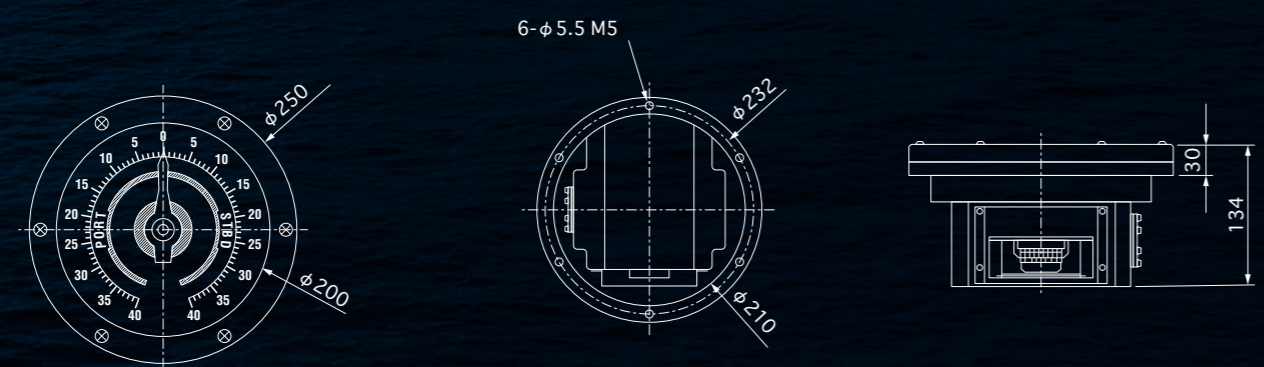
RAIS100 Outline

WALL MOUNT INDICATOR



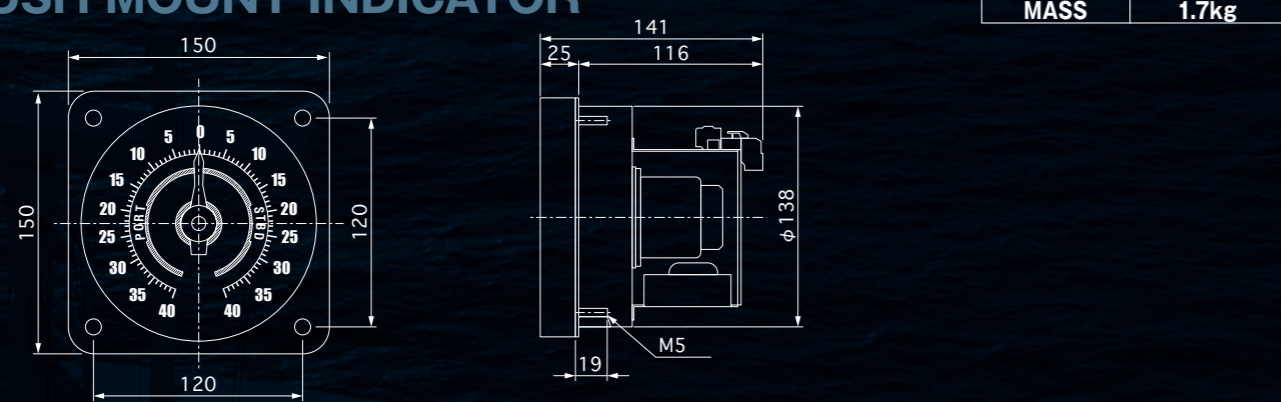
MODEL	MRR118
MASS	4.6kg

FLUSH MOUNT INDICATOR



MODEL	MRR119
MASS	3.9kg

FLUSH MOUNT INDICATOR



MODEL	MRR120
MASS	1.7kg

Caution: Please read the manual before using this product.

YDK Technologies Co., Ltd.
 URL : <http://www.ydktechs.co.jp>

Represented by :

Marine Equipment Business Division
 Address : 5-23-13 Sendagaya, Shibuya-ku, Tokyo, 151-0051 JAPAN

International Sales Dept. Phone : (81) 3-3225-5383 FAX : (81) 3-3225-5316
 Service Dept. Phone : (81) 3-3225-5392 FAX : (81) 3-3225-5316
 Domestic Sales Dept. Phone : (81) 3-3225-5382 FAX : (81) 3-3225-5316

Osaka Branch Phone : (81) 6-6345-8566 FAX : (81) 6-6345-8567
 Imabari Branch Phone : (81) 898-22-4559 FAX : (81) 898-33-2005
 Nagasaki Branch Phone : (81) 95-826-5552 FAX : (81) 95-826-5553

Subject to alteration due to technical developments without notice

RAIS100

Rudder Angle Indicator



YDK Technologies Co., Ltd.

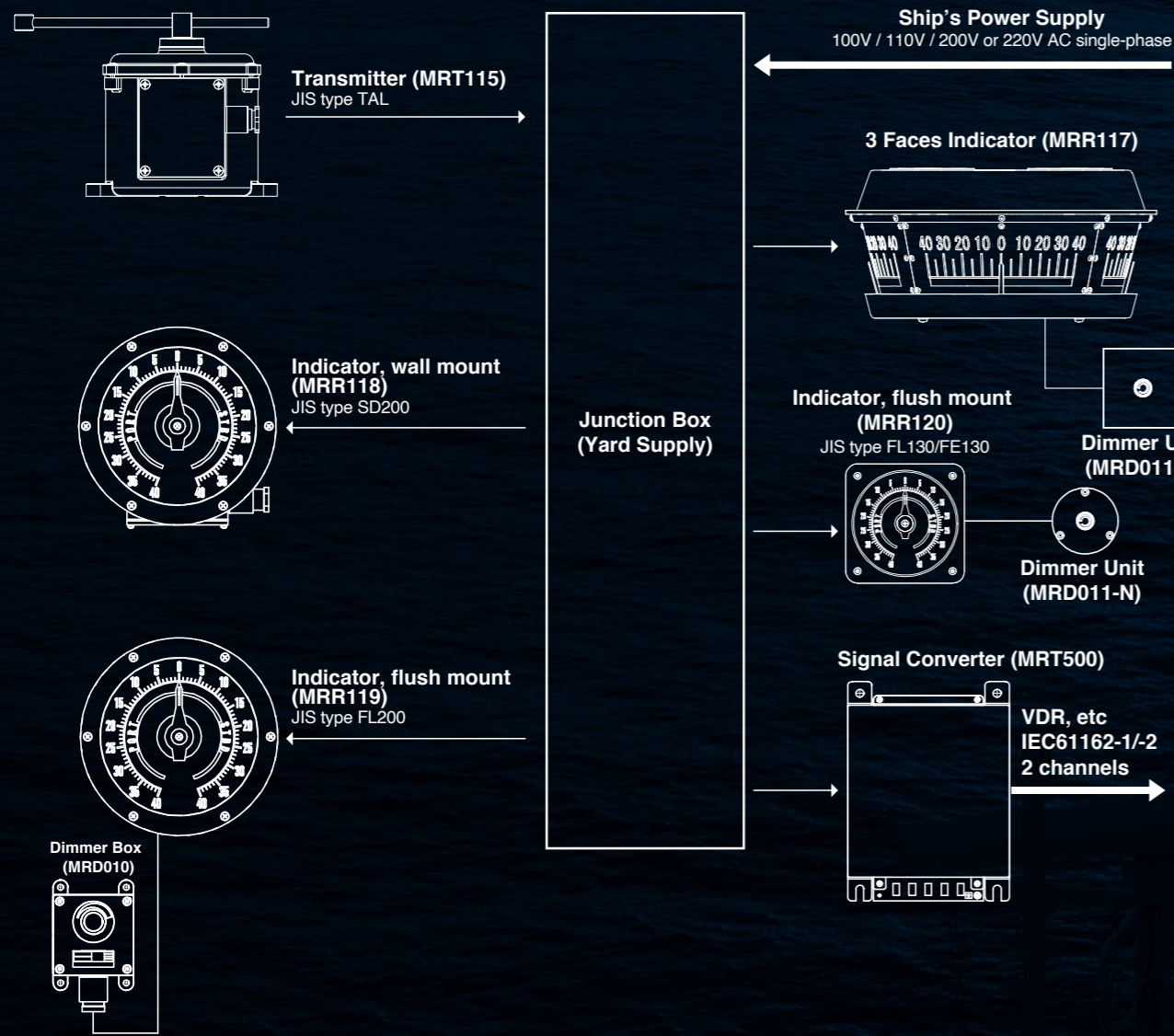
RAIS100 Rudder Angle Indicator

The RAIS100 Rudder Angle Indicator fully conforms to the technical requirements of the ISO20673:2007.

This system is composed of one transmitter, four types of indicator and three types of dimmer.

The transmitter can drive up to eight receivers. Any types of dimmer can be connected to all type of indicators.

RAIS100 System Configuration



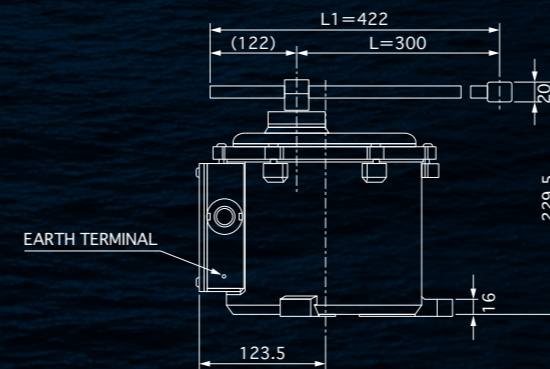
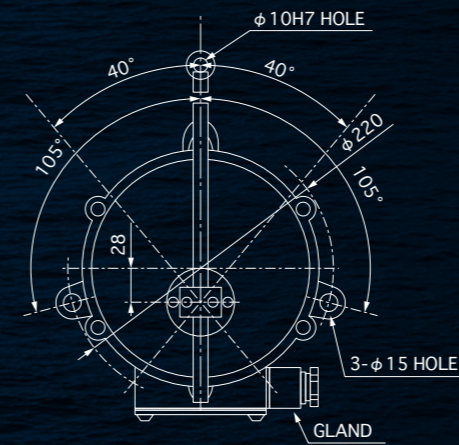
RAIS100 Specification

POWER	100 / 110 / 200 / or 220VAC (50/60Hz) single-phase								
Operating temperature	-15°C to +55°C (MRT115, MRR117, MRR119, MRR120, MRD011)								
	-25°C to +55°C (MRR118, MRD010)								
Storage temperat	-25°C to +70°C								
Scale range	±40°/ ±50°/ ±80°								
Driving number	4 or 8 indicators								
Type of illuminat	LED								
Protection	MODEL	MRT115	MRR117	MRR118	MRR119	MRR120	MRT500	MRD010	MRD011
	GRADE	IP44	IP2x	IP56	IP5x	IP5x/IP54(option)	IP21	IP56	IP4x

RAIS100 Outline

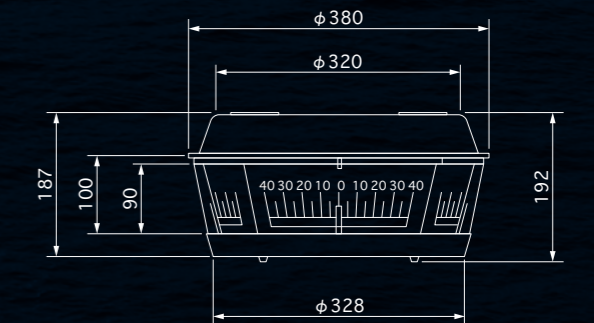
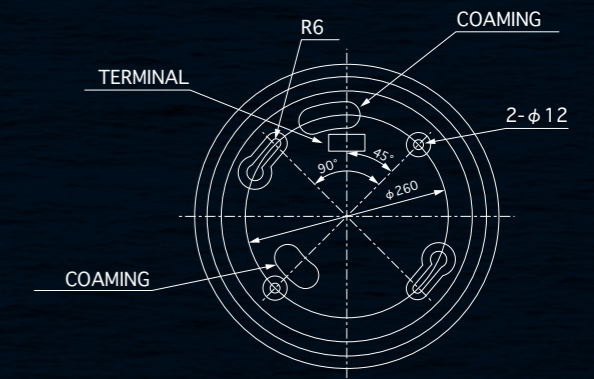
TRANSMITTER

MODEL	MRT115
MASS	8.0kg



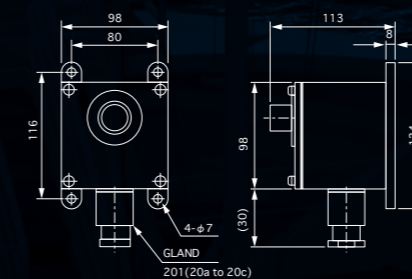
3 FACES INDICATOR

MODEL	MRR117
MASS	8.6kg



DIMMER BOX

MODEL	MRD010
MASS	1.3kg



DIMMER UNIT

MODEL	MRD011-N
MASS	0.3kg



MODEL	MRD011-F
MASS	0.3kg

